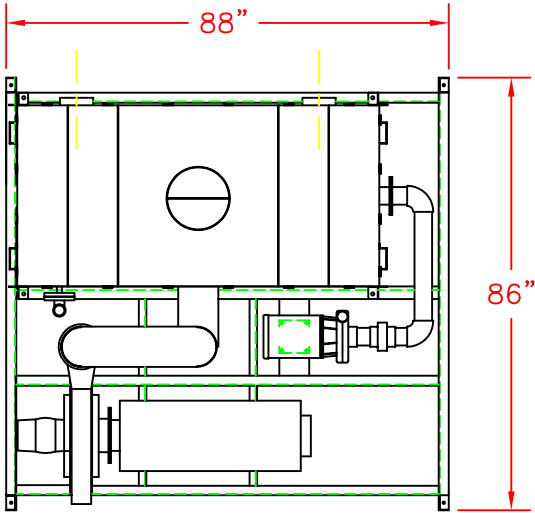


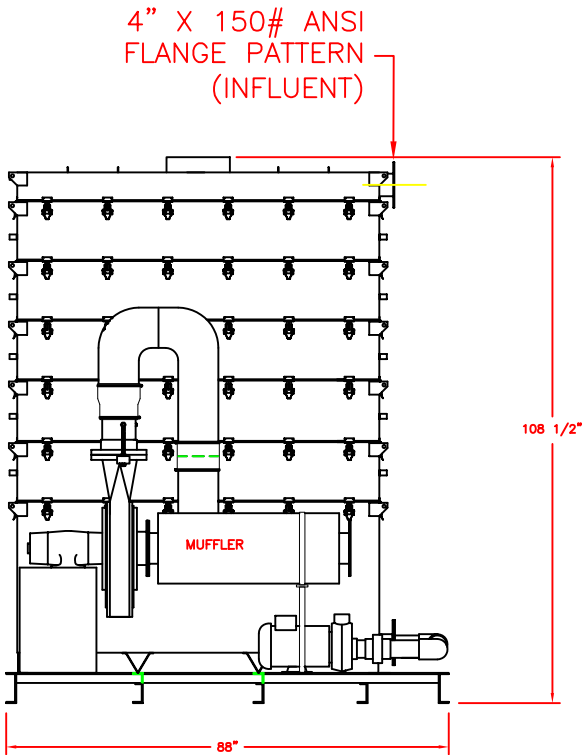
STAT 180 FOR PUMP DOWN

NOTE:

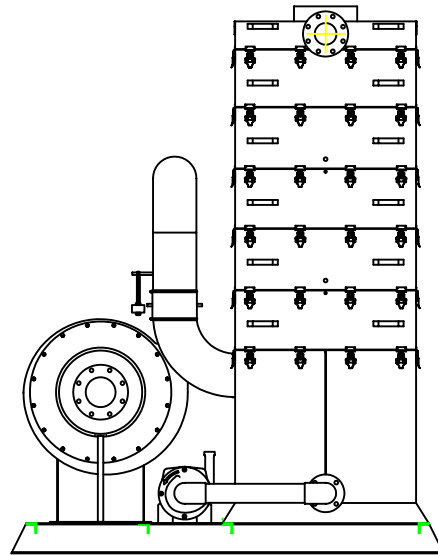
1. STAT 180 CONSTRUCTED OF 304 GRADE STAINLESS STEEL.
2. ADJUST OVERALL HEIGHT BY 11 7/8" FOR EACH AERATION TRAY ADDED OR DELETED. INFLUENT FLANGE ON THE SAME SIDE AS EFFLUENT WITH ODD NUMBER OF TRAYS.



PLAN



ELEVATION



END VIEW