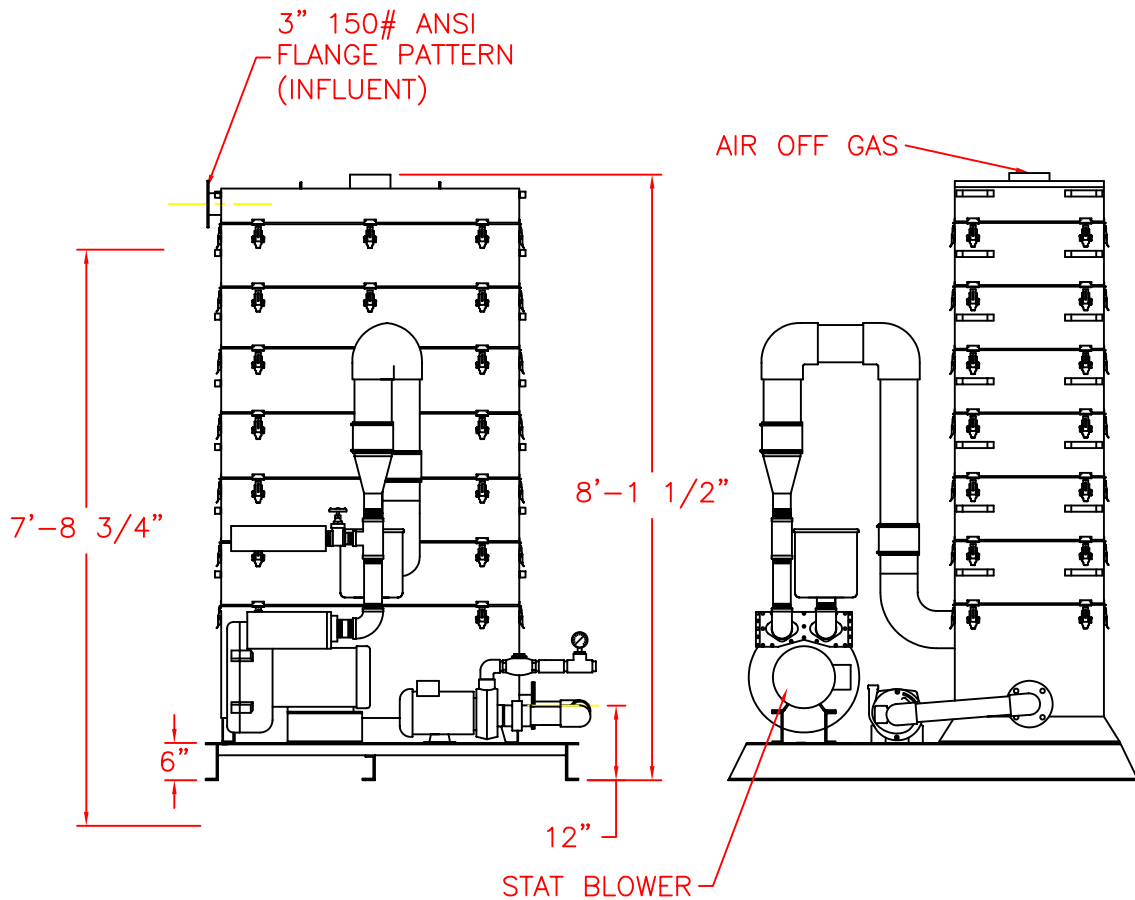
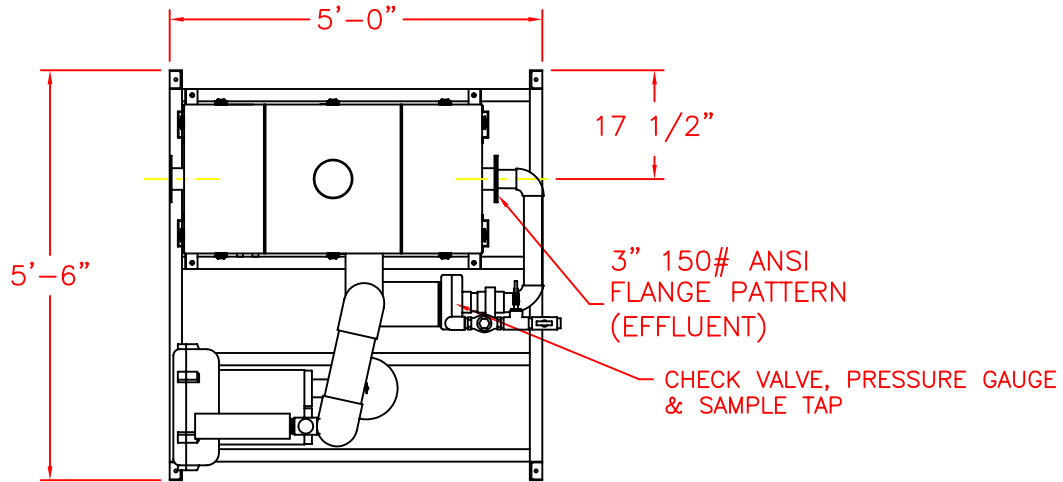


STAT 80
W/PUMP DOWN



NOTE: Adjust overall height by 10 1/4" for each aeration tray added or deleted.
Influent flange on the same side as effluent with odd number of trays.